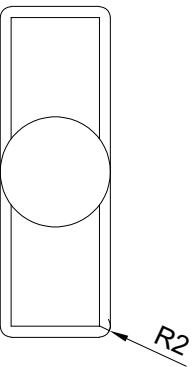
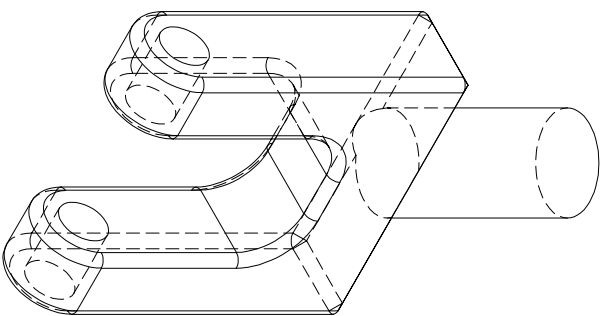
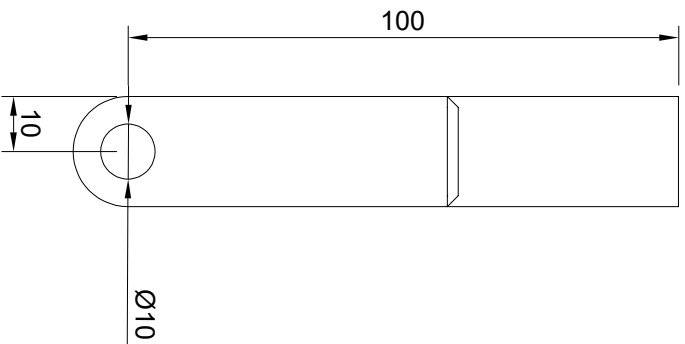
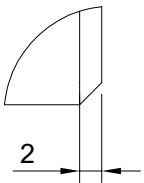


B (2:1)



Dept:	Technical reference	Created by	Approved by
		Fernando Torres-Quevedo	
	Document type	09/10/2024	Document status
	Title	DWG No.	
	Pieza base		
Rev.	Date of issue	Sheet	
		1/1	